

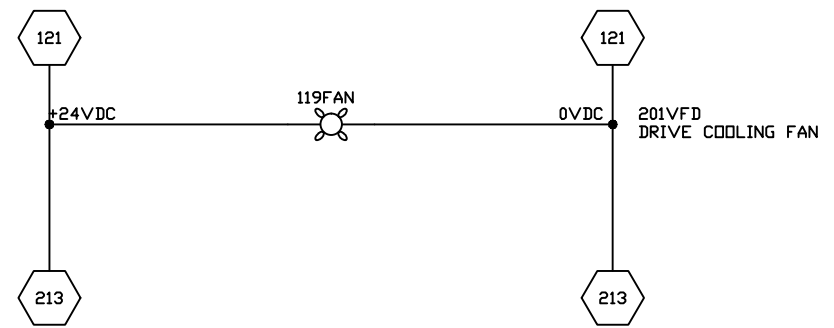
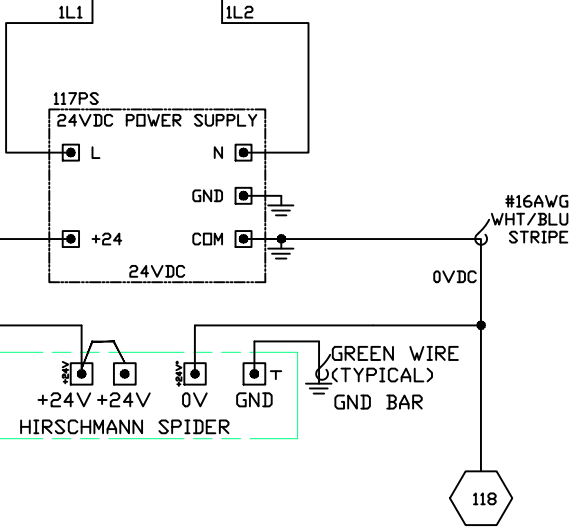
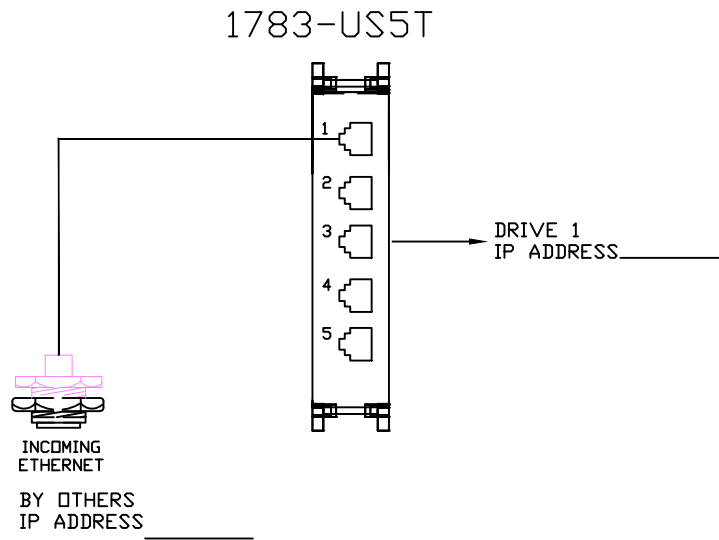
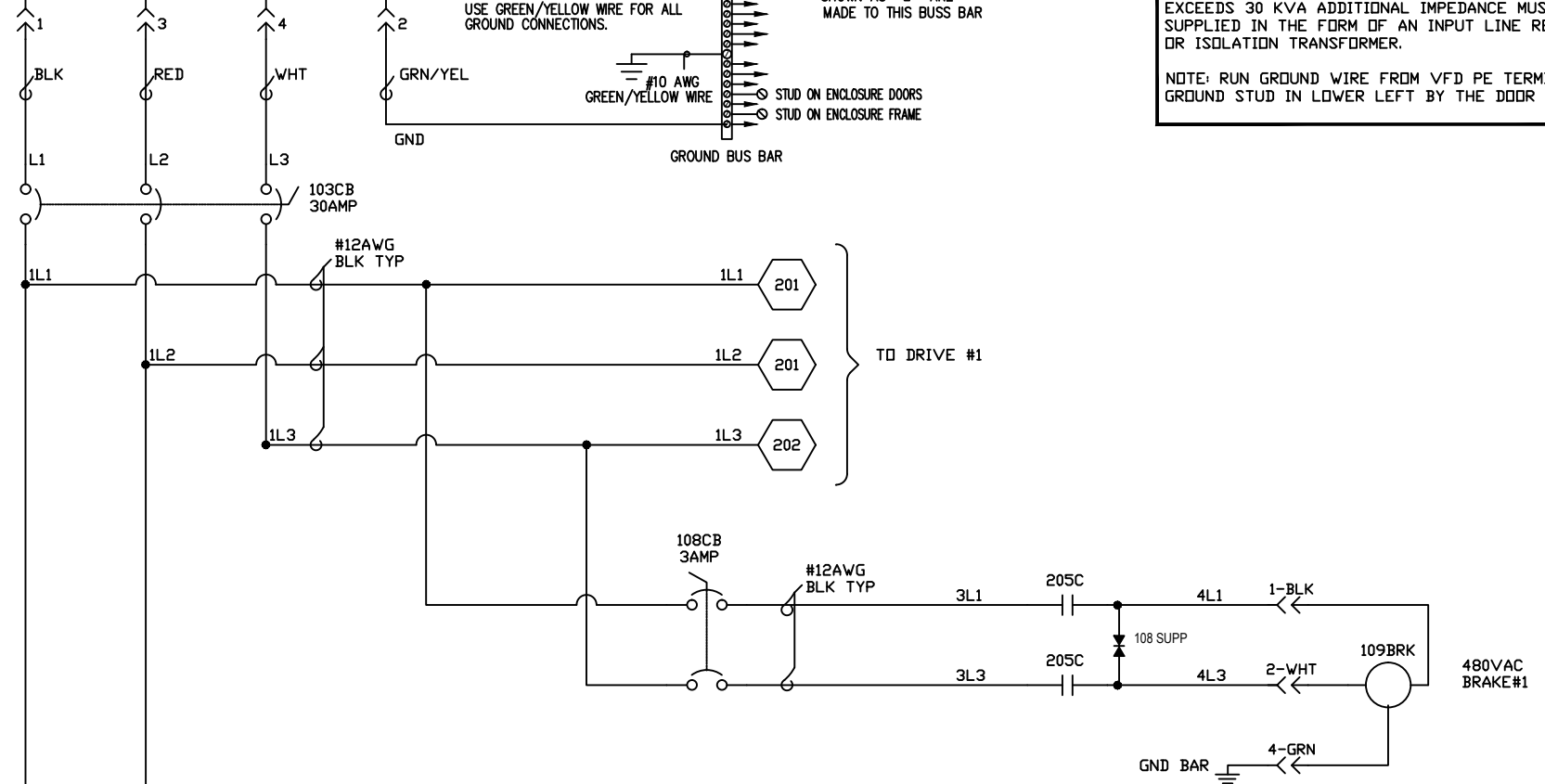
100  
101  
102  
103  
104  
105  
106  
107  
108  
109  
110  
111  
112  
113  
114  
115  
116  
117  
118  
119  
120  
121  
122

FROM CUSTOMER 480VAC, 3-PHASE, 60HZ WYE CONNECTED POWER DISTRIBUTION WITH SOLIDLY GROUNDED NEUTRAL.

NOTE: REMOVE PAINT FROM SUBPLATE AND SERVICE ENTRANCE GROUND LUG. USE GREEN/YELLOW WIRE FOR ALL GROUND CONNECTIONS.

NOTE: ALL CONNECTIONS SHOWN AS  $\oplus$  ARE MADE TO THIS BUSS BAR

NOTE: IF THE USER SUPPLIED INPUT POWER DISTRIBUTION EXCEEDS 30 KVA ADDITIONAL IMPEDANCE MUST BE SUPPLIED IN THE FORM OF AN INPUT LINE REACTOR OR ISOLATION TRANSFORMER.  
NOTE: RUN GROUND WIRE FROM VFD PE TERMINAL TO CABINET GROUND STUD IN LOWER LEFT BY THE DOOR HINGE.



UNITS ARE MILLIMETERS (i.e.X.XXmm [x.xxx"])  
DO NOT SCALE DRAWING

EXCEPT AS NOTED  
DECIMAL TOL. SHALL BE:  
0 PLACE (FRACTIONS) ± .400 [1/64"]  
1 PLACE ± .200 [0.010"]  
2 PLACE ± .100 [0.005"]  
3 PLACE ± .010 [0.0005"]  
ALL DOWEL LOC ± 0.010 [0.0005"] BETWEEN HOLES

EXCEPT AS NOTED, MAXIMUM ALLOWABLE ROUGHNESS SHALL BE:  
1 PLACE FINISH 6 MICRONS (250 MICROINCHES)  
2 PLACE FINISH 3 MICRONS (125 MICROINCHES)  
3 PLACE FINISH 1.6 MICRONS (63 MICROINCHES)

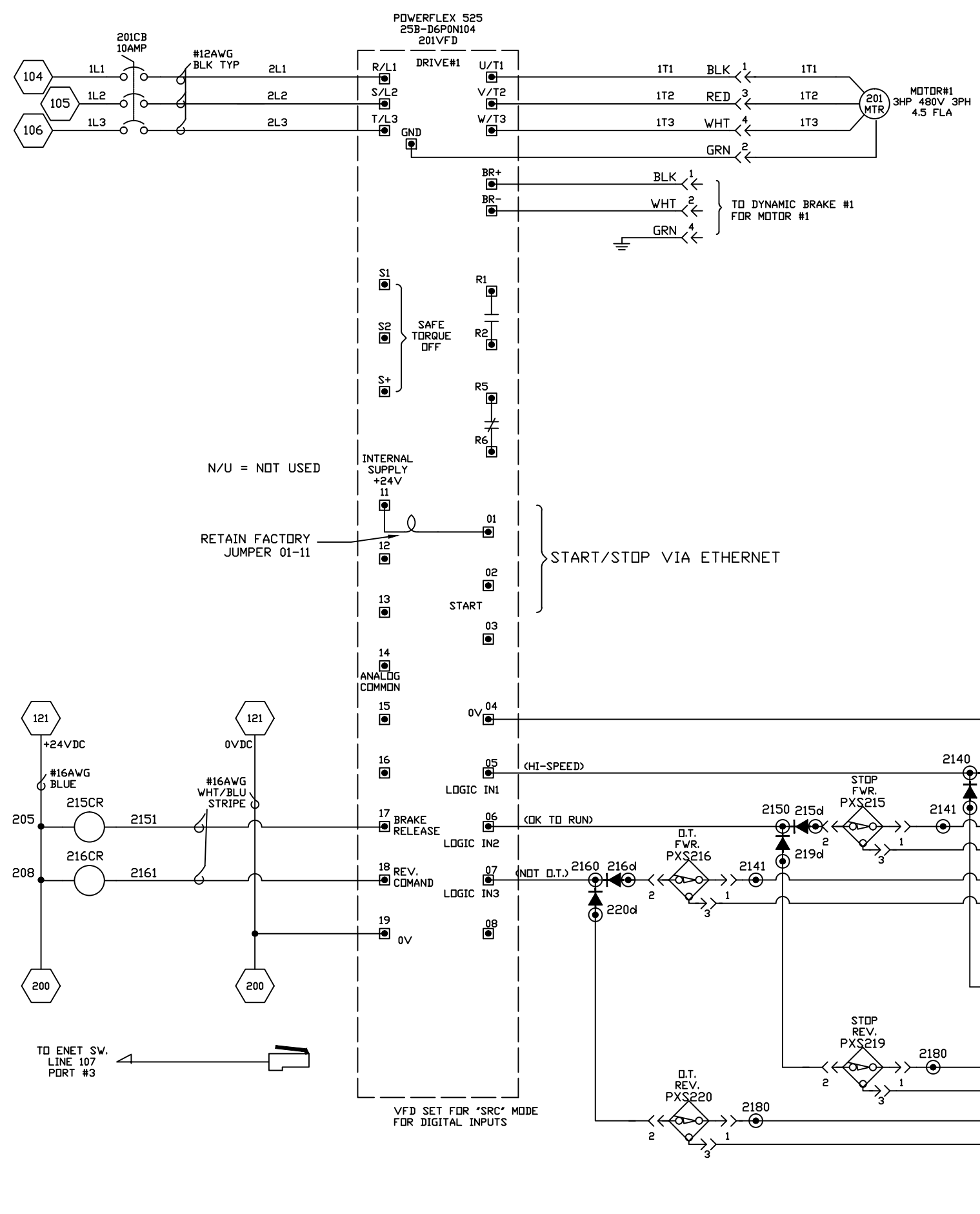
REV	REV BY	REV DATE	CHK BY	DESCRIPTION

**WEKER BEARING COMPANY**

TOOL NAME  
POWERFLEX 525 PANEL BOX SINGLE - 3HP NO-I/O

DRAWN BY cmcwilliams	DATE 09-24-15	LAST EDIT BY cmcwilliams	ENG APPROVAL
SHEET 1	OF 4	FILE NAME	
SCALE			SO2167 3HP SINGLE

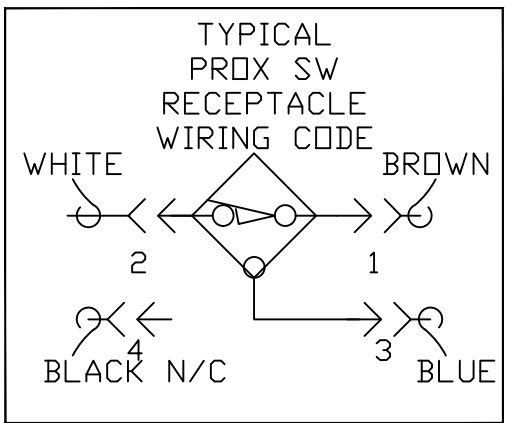
200  
201  
202  
203  
204  
205  
206  
207  
208  
209  
210  
211  
212  
213  
214  
215  
216  
217  
218  
219  
220  
221  
222



TO DRIVE  
TO PXS 214d  
PINS 218d

JUMPER  
1492SJ5B10

DIODE TERMINALS  
POLARITY MUST BE  
AS SHOWN



UNITS ARE MILLIMETERS  
(i.e.X.XXmm [x.xxx"])  
DO NOT SCALE DRAWING

EXCEPT AS NOTED  
DECIMAL TOL. SHALL BE:  
0 PLACE (FRACTIONS) ± .400 [1/64"]  
1 PLACE ± .200 [0.010"]  
2 PLACE ± .100 [0.005"]  
3 PLACE ± .010 [0.0005"]  
ALL DOWEL LOC ± 0.010 [0.0005"]  
BETWEEN HOLES

EXCEPT AS NOTED, MAXIMUM  
ALLOWABLE ROUGHNESS SHALL BE:  
1 PLACE FINISH 6 MICRONS (250 MICROINCHES)  
2 PLACE FINISH 3 MICRONS (125 MICROINCHES)  
3 PLACE FINISH 1.6 MICRONS (63 MICROINCHES)

REV	REV BY	REV DATE	CHK BY	DESCRIPTION
A		2/19/2016		UPDATED CROSS REF HEX'S
B		4-26-2016		ADDED WIRE#S 2151,2161, & DIODE INSIDE TERMS

TOOL NAME			
POWERFLEX 525 PANEL BOX SINGLE - 3HP NO I/O			
DRAWN BY	DATE	LAST EDIT BY	ENG APPROVAL
cmcwilliams	09-24-15	cmcwilliams	
SHEET	2	OF	4
SCALE			FILE NAME
			SO2167 3HP SINGLE



SPARE SHEET

THIS SHEET INTENTIONALLY BLANK

UNITS ARE MILLIMETERS  
(i.e.X.XXmm [x.xxx"])  
DO NOT SCALE DRAWING

EXCEPT AS NOTED  
DECIMAL TOL. SHALL BE:  
0 PLACE (FRACTIONS) ± .400 [1/64"]  
1 PLACE ± .200 [0.010"]  
2 PLACE ± .100 [0.005"]  
3 PLACE ± .010 [0.0005"]  
ALL DOWEL LOC± 0.010[.0005"]  
BETWEEN HOLES

EXCEPT AS NOTED, MAXIMUM  
ALLOWABLE ROUGHNESS SHALL BE:  
1 PLACE FINISH 6 MICRONS (250 MICROINCHES)  
2 PLACE FINISH 3 MICRONS (125 MICROINCHES)  
3 PLACE FINISH 1.6 MICRONS (63 MICROINCHES)

REV	REV BY	REV DATE	CHK BY	DESCRIPTION



TOOL NAME POWERFLEX 525 PANEL BOX SINGLE - 3HP NO I/O			
DRAWN BY cmcwilliams	DATE 09-24-15	LAST EDIT BY cmcwilliams	ENG APPROVAL
SHEET 3	OF 4	FILE NAME	SO2167 3HP SINGLE
SCALE			

3-BRADY TAGS MOUNTED ON DOOR  
FRONT NEAR DISCONNECT SWITCH

BRADY 101950 STICKER  
**WARNING**  
 Arc Flash And Shock Hazard  
 Appropriate PPE Required

Do not operate controls or open covers  
without appropriate personal protection  
equipment.  
Failure to comply may result in injury or  
death!

Refer to NFPA 70E for minimum PPE requirements.

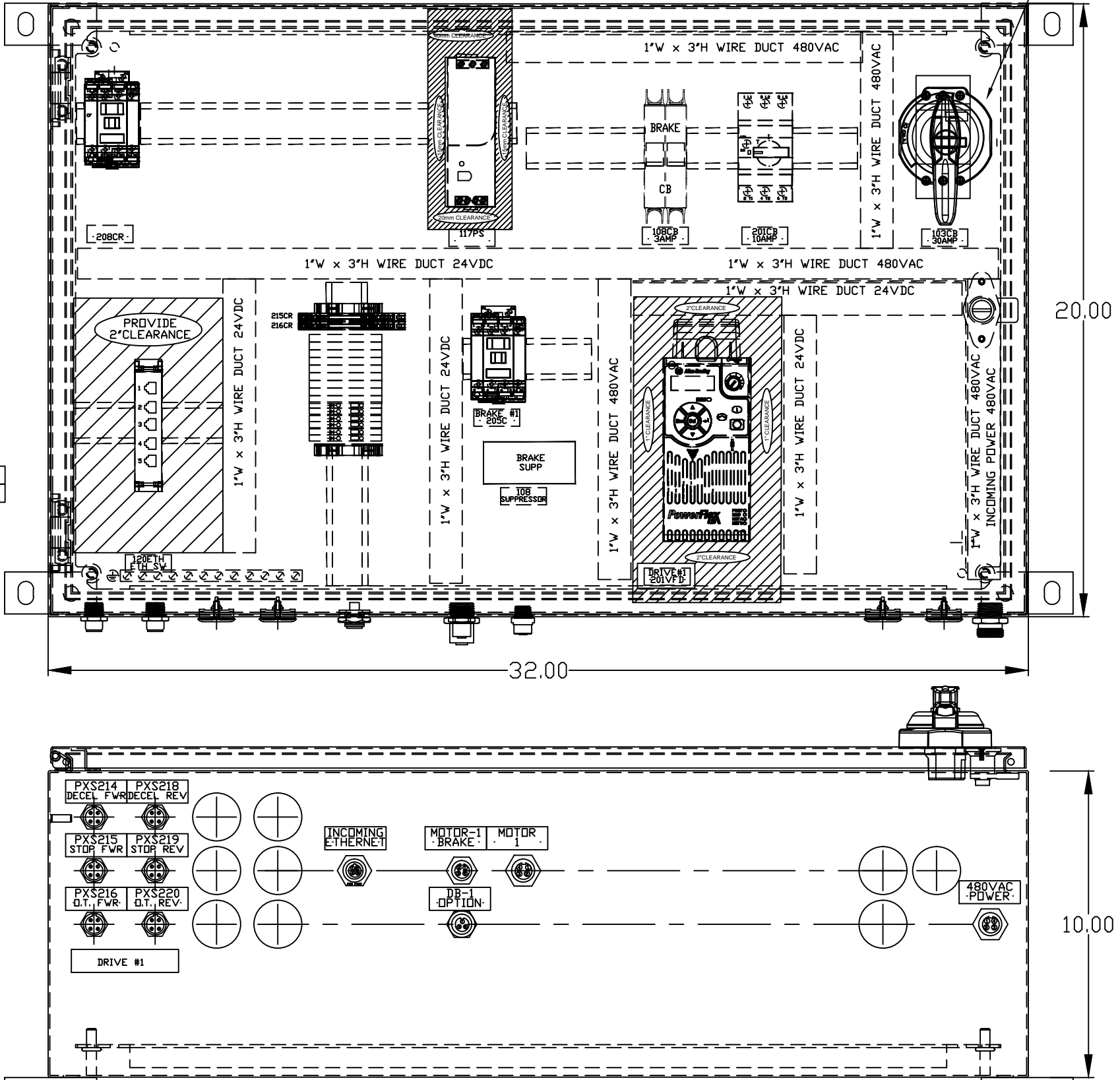
WHITE LETTERS ON RED BACKGROUND  
BRADY Y1200559 STICKER

**WARNING**  
 DISCONNECT POWER  
 BEFORE WORKING  
 WITHIN

WHITE LETTERS ON RED BACKGROUND  
BRADY Y1200590 STICKER

**DANGER**  
 480 VAC

LOCKABLE  
DISCONNECT



215CR	
216CR	
SPARE	SPARE
SPARE	SPARE
+24VDC	OVDC
+24VDC	OVDC
+24VDC	OVDC
2180	2141
2180	2141
SPARE	SPARE
SPARE	SPARE
214d	2140
218d	2140
215d	2150
219d	2150
216d	2160
220d	2160

(9) DOUBLE STACK TERMS  
TOP LEVEL  
BOTTOM LEVEL

(6) DIODE TERMINALS  
MARKERS EACH SIDE  
AS SHOWN

**VFD PARAMETER LISTING**

DRIVE NUMBER	PARAMETER NUMBER	PARAMETER NAME	NEW (NON-DEFAULT) VALUE	DATE	INITIALS

SHOP TO APPLY THIS LIST TO INSIDE OF DOOR

REV	REV BY	REV DATE	CHK BY	DESCRIPTION

REV	REV BY	REV DATE	CHK BY	DESCRIPTION

EXCEPT AS NOTED  
DECIMAL TOL. SHALL BE:  
0 PLACE (FRACTIONS) ± .400 [1/64"]  
1 PLACE ± .200 [0.010"]  
2 PLACE ± .100 [0.005"]  
3 PLACE ± .010 [0.0005"]  
ALL DOWEL LOC ± 0.010 [0.0005"]  
BETWEEN HOLES

EXCEPT AS NOTED, MAXIMUM  
ALLOWABLE ROUGHNESS SHALL BE:  
1 PLACE FINISH 6 MICRONS (250 MICROINCHES)  
2 PLACE FINISH 3 MICRONS (125 MICROINCHES)  
3 PLACE FINISH 1.6 MICRONS (63 MICROINCHES)

**WELKER**  
BEARING COMPANY

TOOL NAME  
POWERFLEX 525 PANEL BOX DOUBLE - 3HP NO I/O

DRAWN BY	DATE	LAST EDIT BY	ENG APPROVAL
cmwilliams	09-24-15	cmwilliams	

SHEET 4 OF 4  
FILE NAME  
SO2167 3HP SINGLE